

# **MULTIPHONES MINI POD™**

**FOR USE WITH MULTIPHONES HEADPHONES SYSTEM**

**HENRY ENGINEERING**

503 Key Vista Drive  
Sierra Madre, CA 91024  
Tel: 626.355.3656  
Fax: 626.355.0077  
www.henryeng.com

## **DESCRIPTION**

The MultiPhones Mini Pod is an individual headphone listening station for use with the MultiPhones Distributed Headphones System. It receives power and Program and Talkback audio from the MultiPhones Master unit. The Mini Pod can also be used as a “stand alone” headphone listening station (without a MultiPhones Master unit) if external 12 VAC powering is provided. The Mini Pod includes a headphone amplifier with Level control, and both ¼” and 3.5mm headphone jacks.

## **INSTALLATION**

The Mini Pod is designed for either tabletop or under-counter installation. For tabletop use, install the rubber “bumpers” on the bottom side of the enclosure. Another option is to affix the unit to the tabletop using foam mounting tape. For under-counter installation, either foam mounting tape or screws can be used. To screw the unit to the underside of a counter, first open the Mini Pod enclosure by removing the four corner screws from the bottom of the unit. Remove the top of the “clamshell” enclosure. Drill screw holes in the top as necessary, and screw the top to the underside of the countertop. Re-attach the unit the lower section to the top with the bottom screws.

**For use with MultiPhones Master unit:** The Mini Pod(s) is connected to the MultiPhones Master unit using cat5 cabling. In most cases, unshielded cables can be used. **WARNING! DO NOT USE “CROSSOVER” CABLES!** Cat5 cables are available from any computer supplier, office supply retailer, or electronic parts distributor. (Staples, Office Depot, Mouser Electronics, CyberGuys, Radio Shack, etc.)

Connect up to 3 Mini Pods directly to the MultiPhones Master unit. Each Mini Pod has 2 RJ45 connectors, which are wired in parallel. (Use either connector.) Additional Mini Pods can be “daisy chained” together in any combination. The total number of Mini Pods should not exceed 12 units.

**NOTE: If Mini Pods are connected while the MultiPhones Master unit is on, it will be necessary to unplug the Master unit, wait a few seconds, then plug it back in.**

**For use as a “stand alone” headphone listening station:** For “stand alone” use, the Mini Pod requires a source of 12 volt AC power. Any 12 volt AC adaptor can be used; the current requirement is about 50 ma. (Use Mouser P/N 412-212054.) Two ¼” TRS input jacks on the rear panel accept stereo balanced audio at about 0 dBu. Wire the inputs as follows: **Tip = High; Ring = Low; Sleeve = Ground.**

Multiple Mini Pods can be used by “daisy chaining” them together with cat5 cabling. Both power and audio will be distributed to all Mini Pods via the cat5 cables. (To distribute power but not audio, remove R19, R20, R21, & R22 from each Mini Pod unit in the system.)

## **OPERATION**

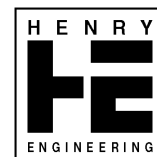
The Mini Pod is simple in its operation. The LEVEL controls adjust the audio level to the PHONES jacks. Do not use both jacks at the same time. Use headphones with an impedance between 24 and 600 ohms. **Do not use older “8-ohm” headphones.** When the Talkback function on the MultiPhones Master unit is in use, normal Program audio will be overridden with Talkback audio.

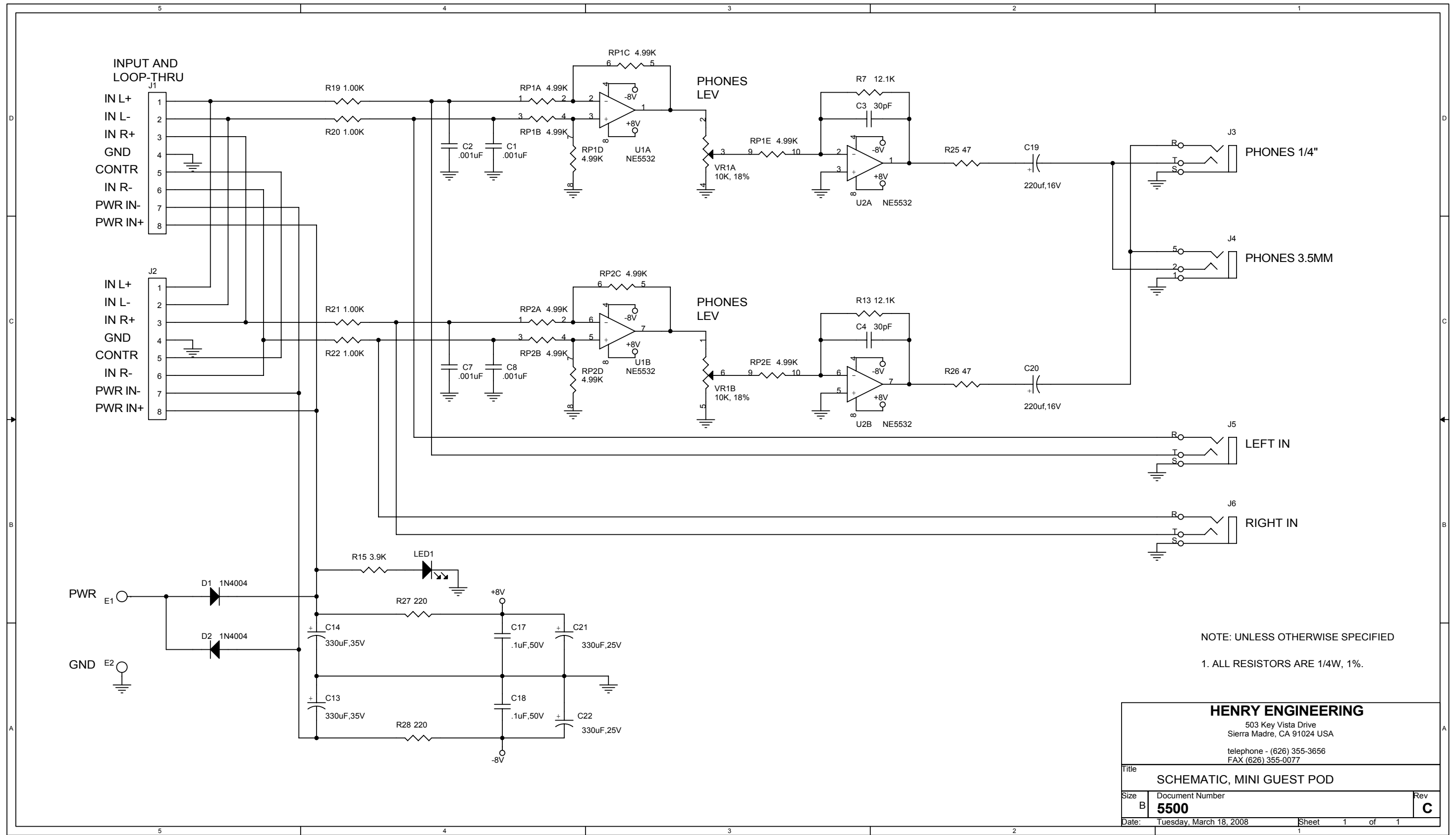
## **SPECIFICATIONS**

INPUT	From MultiPhones Master unit or ¼” TRS jacks, 2X, 0 dBu, balanced 20K
OUTPUT	For 24 – 600 ohm headphones, ¼” and 3.5mm jacks
FREQUENCY RESPONSE	5 Hz – 20 kHz, +/- 0.25 dB
DISTORTION	.005% typical
NOISE	-80 dBm typical
POWER INPUT	Supplied by MultiPhones Master unit or 12 VAC, 50ma
PHYSICAL DIMEN	4”W x 6”D x 1 1/2” H, 1 LB

Specifications subject to change without notice.

Rev. 1/08





NOTE: UNLESS OTHERWISE SPECIFIED  
 1. ALL RESISTORS ARE 1/4W, 1%.

**HENRY ENGINEERING**  
 503 Key Vista Drive  
 Sierra Madre, CA 91024 USA  
 telephone - (626) 355-3656  
 FAX (626) 355-0077

Title: SCHEMATIC, MINI GUEST POD

Size	Document Number	Rev
B	5500	C

Date: Tuesday, March 18, 2008 Sheet 1 of 1