

MIKE ALERT

Microphone Tally Light Controller

HENRY ENGINEERING

PO Box 3796
Seal Beach, CA 90740
Tel: 562.493.3589
www.henryeng.com

DESCRIPTION

Mike Alert is an interface unit for controlling the dual-color tally lights on “MIKA” microphone arms. The Mike Alert unit allows two mic arm tally lights to be independently controlled, and provides power and control circuitry to operate the white and red tally indicators in each mic arm.

WARNING! For 230V operation, change mains voltage jumpers before connecting to AC power!

Remove jumpers between E6 & E7, and between E5 & E8. Install a jumper between E5 & E6 for 230V; replace fuse with a .125a fuse. See schematic on reverse side. Jumpers should be changed by a qualified technician only.

INSTALLATION

Connect each MIKA mic arm to the 5-pin female XLR **Input** connector. Wire the cable from the MIKA mic arm to a 5-pin male XLR connector as follows:

Pin 1 = Mic ground (Ties to Pin 1 of Mic Output connector)
Pin 2 = Mic audio + (Ties to Pin 2 of Mic Output connector)
Pin 3 = Mic audio – (Ties to Pin 3 of Mic Output connector)
Pin 4 = Tally light BLACK wire
Pin 5 = Tally light ORANGE wire

Note: Mic audio will be passed-through to the 3-pin male XLR **Output** connector on the Mike Alert unit.

All tally light control inputs are via the 15-pin D **Control** connector. There are two inputs for each mic arm. One input activates the WHITE tally light, the second input activates the RED tally light. All control inputs are opto-isolated. Control inputs can be either a *maintained* DC voltage (5-12 vdc) or a contact closure or open collector.

For control via maintained DC voltage, connect to the + and – input terminals only. (Input Z = 2k ohms)

Pin 1: MIC 1 WHITE +	Pin 5: MIC 2 WHITE +	Pin 9: +12V SOURCE	Pin 13: +12V SOURCE
Pin 2: MIC 1 WHITE -	Pin 6: MIC 2 WHITE -	Pin 10: GROUND	Pin 14: WHITE Output
Pin 3: MIC 1 RED +	Pin 7: MIC 2 RED +	Pin 11: +12V SOURCE	Pin 15: RED Output
Pin 4: MIC 1 RED -	Pin 8: MIC 2 RED -	Pin 12: GROUND	

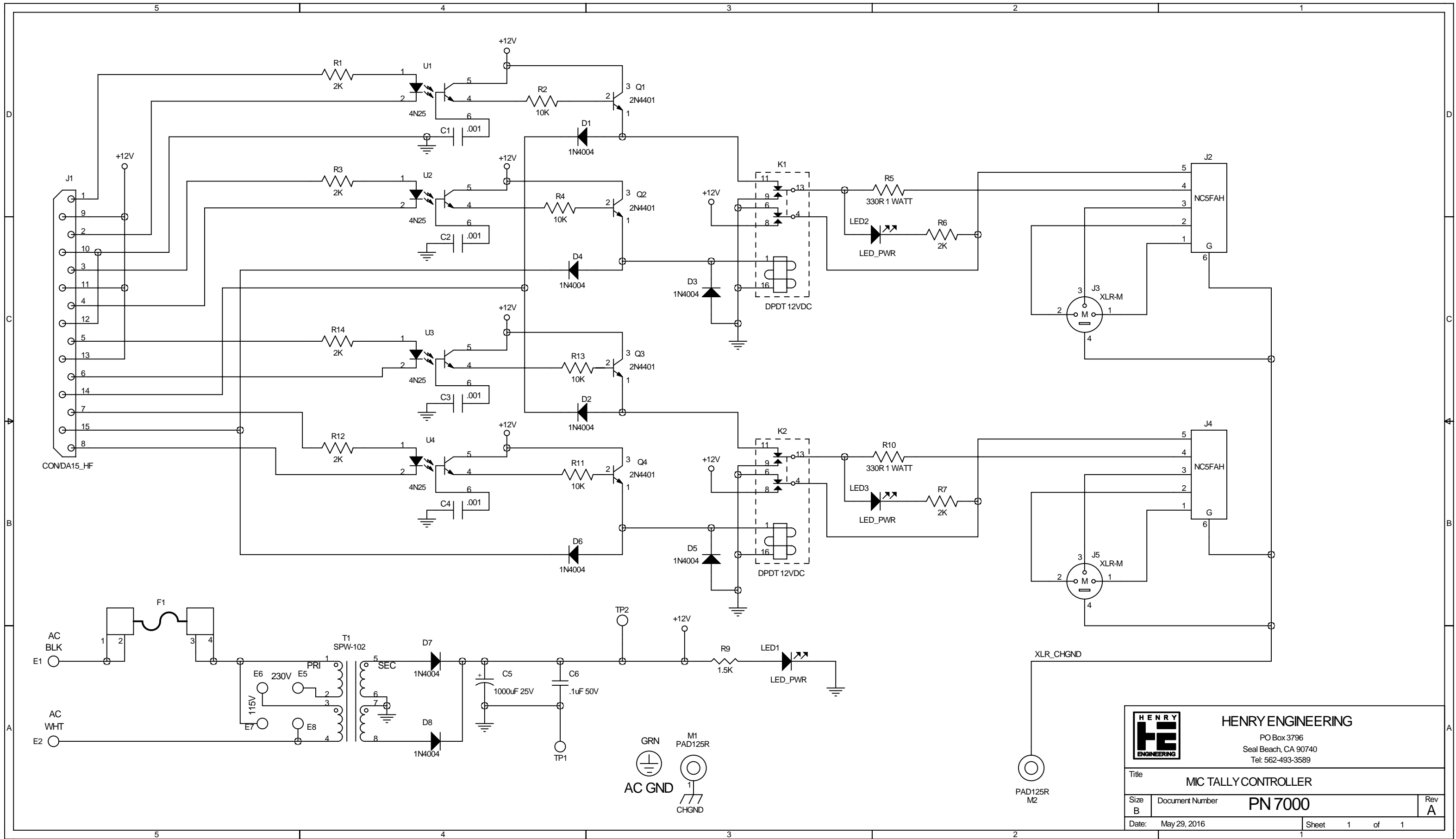
For control via an external contact closure or open collector, connect the + input(s) to any +12V SOURCE pin. Connect the closure between the – input(s) and any GROUND pin. (The external contact closure completes the circuit to ground, using the Mike Alert as a power source.)

Pins 14 & 15 are “master outputs” for the WHITE and RED tally indicators. These outputs provide 12 vdc whenever either the white or red tally outputs is active. These outputs can be connected to a Henry Engineering SUPERELAY to activate the studio’s main *On The Air* tally light. If multiple Mike Alert units are used, these outputs can be bused together so that the main *On The Air* light will turn on when ANY microphone is in use. Connect Pin 14 and/or Pin 15 to the Superelay’s IN+ control input. Connect any GROUND pin of the Mike Alert to the Superelay G input.

OPERATION

Mike Alert will activate the MIKA tally lights when it receives a control input. All inputs must be *maintained* (not a momentary pulse). Note that the RED input will always take precedence: if the WHITE *and* RED inputs are both on at the same time, only the RED tally light will operate. The LEDs on the front of the unit will indicate which tally lights are active. (Yellow LED = WHITE; Red LED = RED)





HENRY ENGINEERING

PO Box 3796
Seal Beach, CA 90740
Tel: 562-493-3589

Title MIC TALLY CONTROLLER		
Size B	Document Number PN 7000	Rev A
Date: May 29, 2016	Sheet 1 of 1	