

STEREOMIXER

EIGHT INPUT STEREO MIXER

HENRY ENGINEERING

503 Key Vista Drive
Sierra Madre, CA 91024
tel: 626.355.3656
fax: 626.355.0077
website: www.henryeng.com

DESCRIPTION

STEREOMIXER is an eight-input, two-output stereo line level mixer/combiner for utility use. The unit has balanced bridging inputs for eight audio sources (4 stereo pairs or 8 mono sources) which can be mixed to two outputs in stereo or to one output in mono. A level control is provided for each input. The output DC coupled circuitry provides excellent sonic performance.

INSTALLATION

All connections to the StereoMixer are made via plug-in connectors. Remove about 1/8" of insulation, insert wires into the plug, and tighten the screws. Be sure that no bare wires are exposed.

Audio inputs to the StereoMixer should be connected to the balanced input terminals labeled 1 thru 8. For unbalanced inputs, install a jumper between the (-) terminal and G (ground). All inputs are bridging; it is not necessary to terminate the source unless required by the source equipment.

Audio outputs from the StereoMixer are connected to the two outputs labeled L (Left) and (Right). The output circuitry will drive any load of 600 ohms or higher. It is not necessary to terminate the outputs. For unbalanced outputs, connect to the (+) and G terminals only. DO NOT short the (-) terminal to ground.

OPERATION

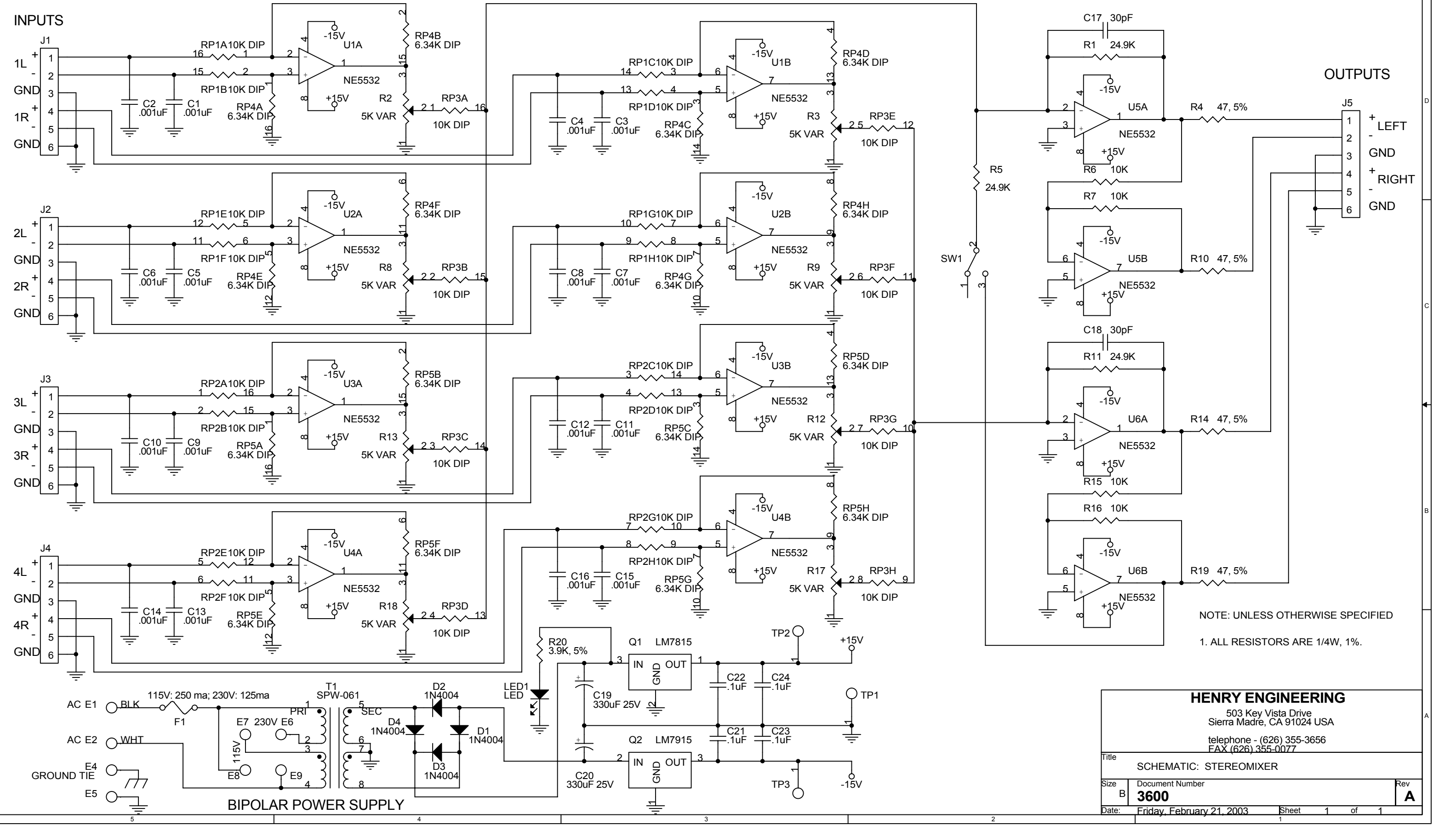
The input levels to the StereoMixer should be between -10 and +8 dBm. Adjust each input channel using the INPUT LEVEL controls. Unity gain is achieved with these controls set to 10 o'clock; with nominal input levels of +4 dBm the Input Level controls should be run near this setting. It is recommended that input levels be initially set with a level indicator (VU meter, scope, VOM) temporarily connected to the StereoMixer's output to monitor output levels. The average output level should not exceed +8 dBm to ensure adequate headroom.

StereoMixer can operate in either stereo or mono, determined by the OUTPUT MODE switch. In Stereo mode, the odd numbered inputs are mixed to the Left output; the even numbered outputs are mixed to the Right output. In Mono mode, ALL inputs are mixed to the Left output. (The right output is not used in mono mode.)

SPECIFICATIONS

INPUTS -10 to +8 dBm; balanced 20K or unbalanced 10K
GAIN 10 dB maximum
OUTPUTS +4 dBm nominal, +26 dBm max; 600 ohms or higher, 4X
FREQ RESP DC to 20 kHz, +/- 0.25 Db
NOISE 80 dB below +4 dBm output
CROSSTALK 75 dB below +4 dBm output, typ. @ 1 kHz
DISTORTION .008% IM/THD





NOTE: UNLESS OTHERWISE SPECIFIED
 1. ALL RESISTORS ARE 1/4W, 1%.

HENRY ENGINEERING
 503 Key Vista Drive
 Sierra Madre, CA 91024 USA
 telephone - (626) 355-3656
 FAX (626) 355-0077

| | | |
|-------------------------|---------------------------|--------------|
| Title | | |
| SCHEMATIC: STEREO MIXER | | |
| Size | Document Number | Rev |
| B | 3600 | A |
| Date: | Friday, February 21, 2003 | Sheet 1 of 1 |