

# **MICROMIXER**

## **FOUR INPUT STEREO MIXER**

### **HENRY ENGINEERING**

503 Key Vista Drive  
Sierra Madre, CA 91024  
tel: 626.355.3656  
fax: 626.355.0077  
website: www.henryeng.com

### **DESCRIPTION**

MICROMIXER is a four-input, two-output stereo mixer/combiner for utility use. The unit has balanced bridging inputs for four audio sources (two stereo pairs) which can be mixed to two outputs (one stereo pair). A level control is provided for each input. Selectable 'assign' switching permits any input to be fed to either or both outputs. DC coupled circuitry provides excellent sonic performance.

### **INSTALLATION**

All connections to the MicroMixer are made via plug-in connectors. Remove about 1/8" of insulation, insert wires into the plug, and tighten the screws. Be sure that no bare wires are exposed.

Audio inputs to the MicroMixer should be connected to the balanced input terminals labeled 1, 2, 3, and 4. For unbalanced inputs, install a jumper between the (-) terminal and G (ground). All inputs are bridging; it is not necessary to terminate the source unless required by the source equipment.

Audio outputs from the MicroMixer are connected to the two outputs labeled L (Left) and R (Right). The output circuitry will drive any load of 600 ohms or higher. It is not necessary to terminate the outputs. For unbalanced outputs, connect to the (+) and G terminals only. DO NOT short the (-) terminal to ground.

### **OPERATION**

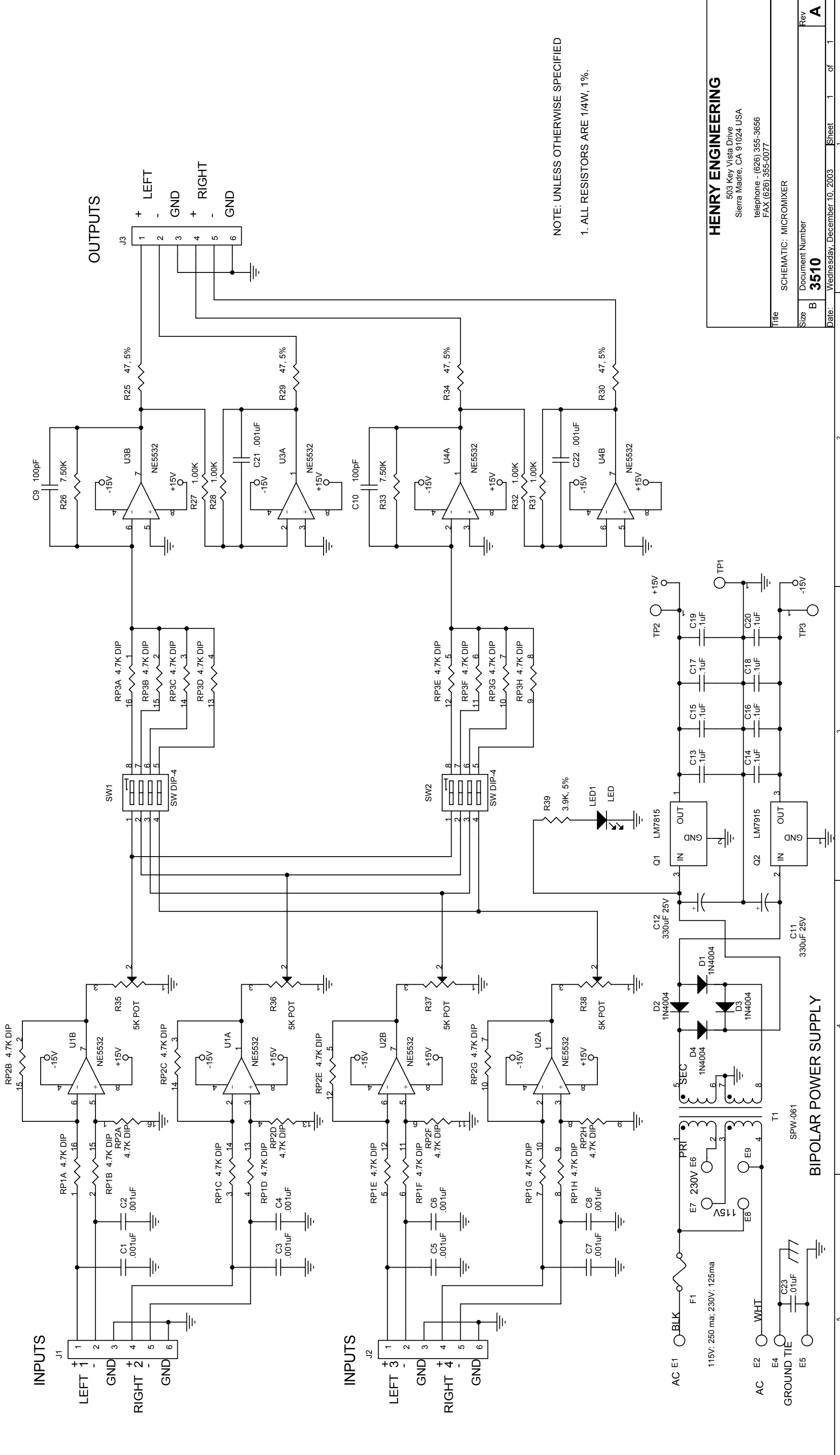
The input levels to the MicroMixer should be between -10 and +8 dBm. Adjust each input channel using the INPUT LEVEL controls. Unity gain is achieved with these controls set to 10 o'clock; with nominal input levels of +4 dBm the Input Level controls should be run near this setting. It is recommended that input levels be initially set with a level indicator (VU meter, scope, VOM) temporarily connected to the MicroMixer's output to monitor output levels. The average output level should not exceed +8 dBm to ensure adequate headroom.

Each output channel (L & R) has four ASSIGN switches that determine which of the four input signals are fed to that output. Select the input sources desired by switching the appropriate channels ON (down). For example, if inputs 1 and 3 should be fed to the LEFT output, set Left output assign switches 1 and 3 ON, with 2 and 4 OFF.

### **SPECIFICATIONS**

INPUTS        -10 to +8 dBm; balanced 20K or unbalanced 10K  
GAIN            10 dB maximum  
OUTPUTS       +4 dBm nominal, +26 dBm max; 600 ohms or higher, 4X  
FREQ RESP    DC to 20 kHz, +/- 0.25 Db  
NOISE          80 dB below +4 dBm output  
DISTORTION    .008% IM/THD





NOTE: UNLESS OTHERWISE SPECIFIED  
 1. ALL RESISTORS ARE 1/4W, 1%.

**HENRY ENGINEERING**  
 503 Key Vista Drive  
 Sierra Madre, CA 91024 USA  
 telephone - (626) 355-3656  
 FAX (626) 355-0077

Title	SCHEMATIC: MICROMIXER		
Size	Document Number	Rev	
B	<b>3510</b>	A	
Date:	Wednesday, December 10, 2003	Sheet	1 of 1

**BIPOLAR POWER SUPPLY**

