

AES DIGITAL DA 2X4™

ZERO-DELAY AES DISTRIBUTION SYSTEM

Product Description

The AES Digital DA 2X4 is a distribution system for digital audio signals. It can accept either an AES or S/PDIF digital audio stream, and create four identical AES outputs. The AES DA is 100% bit-accurate and transparent to the source, adding absolutely no delay or latency to the signal. The AES input and all four AES outputs are individually transformer balanced and isolated from ground. The S/PDIF input signal is converted to an AES standard level and source impedance. The AES I/O is via XLR connectors; Pin 1 is connected to the AC "safety" ground. The S/PDIF input is via an RCA connector; the shield is

isolated from the AC ground. No user adjustments or calibration is necessary. A blue "Signal" LED confirms the presence of an input signal.

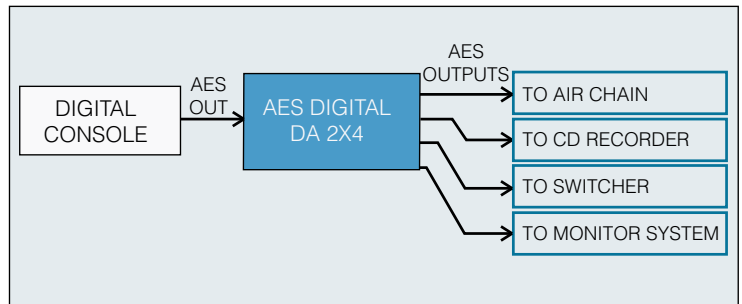
The AES Digital DA 2X4 is powered with a built-in AC power supply, which can be set by the user to operate on either 115 or 230 volts AC. The AES Digital DA 2X4 is 1/3 rack wide, and can be mounted using the optional Rack Shelf. It can also be mounted with Henry Engineering's Desk Mount Kit or the wall/cabinet mounting brackets.



Technical Specifications

AES Input	110 ohms, transformer balanced
S/PDIF Input	75 ohms, unbalanced
AES Outputs	110 ohms, transformer balanced X4
Sample Rate	32 kHz – 192 kHz
Bit Depth	>24 bits
Power Input	115 or 230 VAC, 50-60 Hz, 3W
Physical Size	5.7" w x 1.7" h x 6.0" d, 3 lbs
Construction	Steel enclosure
Approvals	City of Los Angeles ETL/CE/ROHS

Typical Application



No Wall-Warts!



Rack Mountable

Specifications subject to change without notice.

REV A 2015

Henry Engineering
PO Box 3796
Seal Beach, CA 90740
Tel: 562-493-3589
www.henryeng.com

